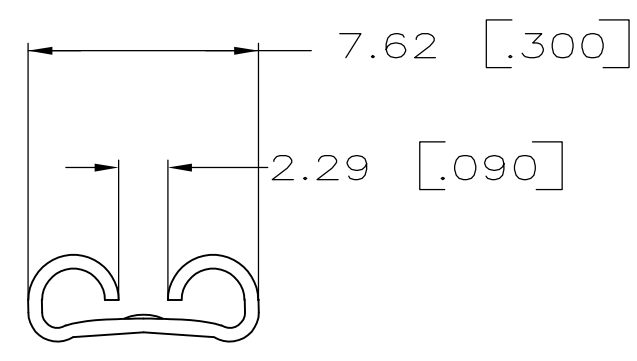
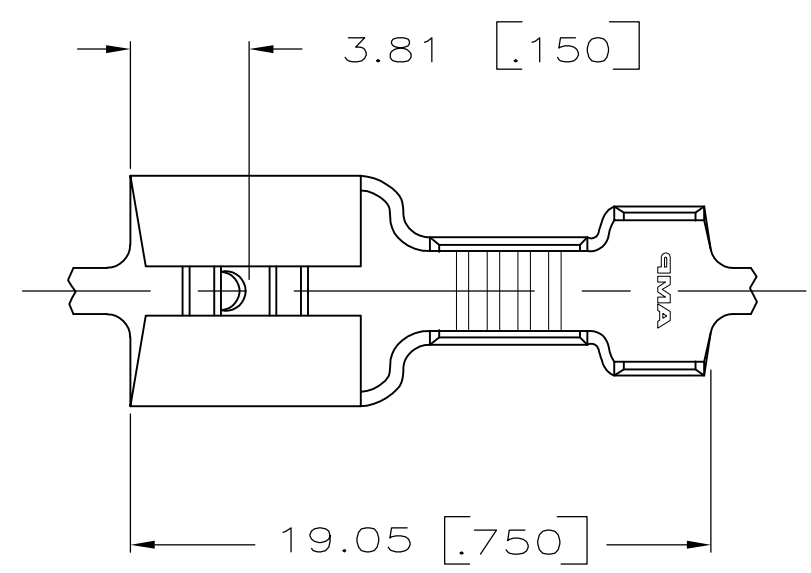


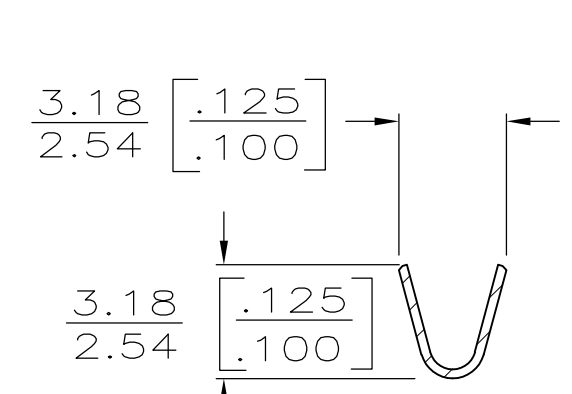
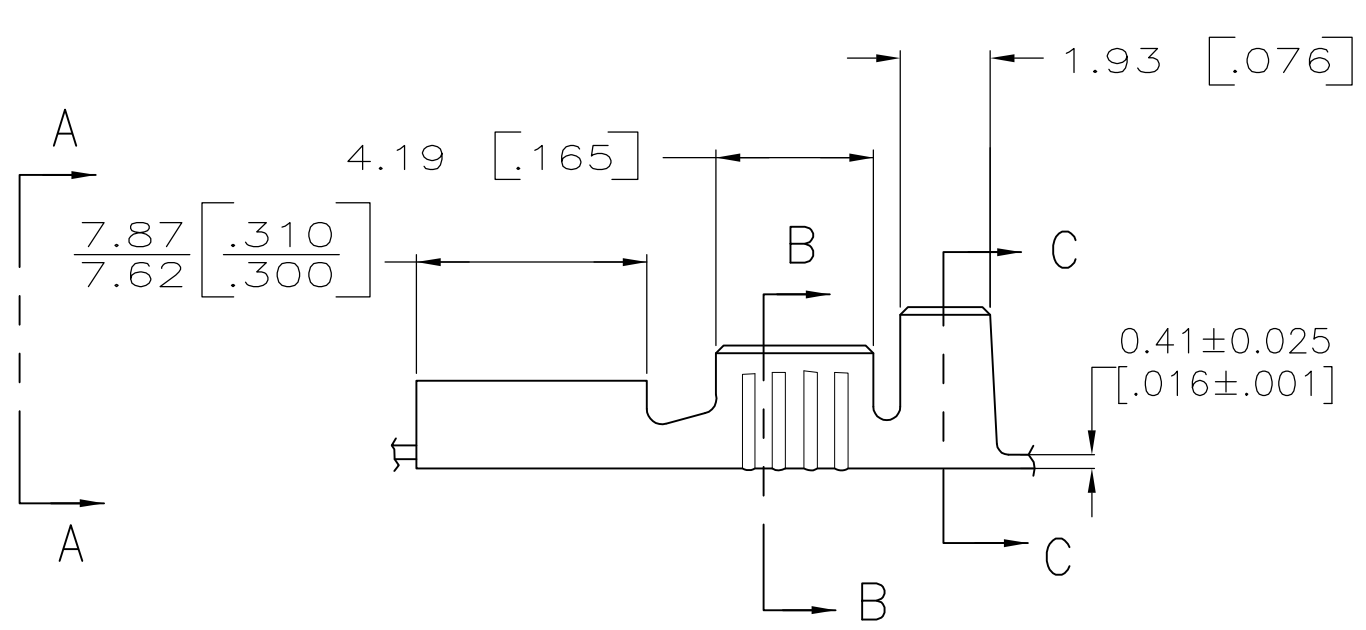
THIS DRAWING IS UNPUBLISHED. RELEASED FOR PUBLICATION  
 © COPYRIGHT - By - ALL RIGHTS RESERVED.

LOC	DIST	REVISIONS					
AF	50	P	LTR	DESCRIPTION	DATE	DWN	APVD
			V	REVISED PER ECR-12-013445	18OCT12	KH	PD

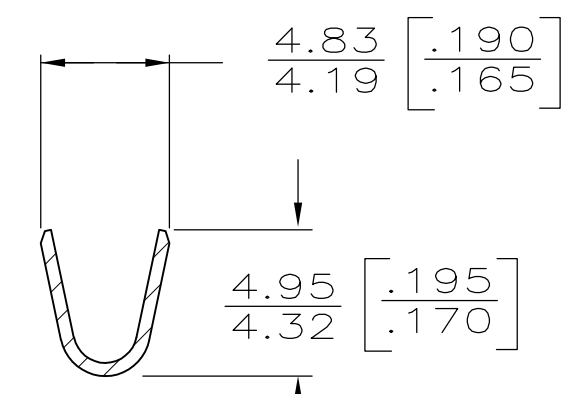
- 1 DIM'S IN BRACKETS ARE IN INCHES.
- 2 CONTINUOUS STRIP ON REELS.
- 3 FOR FOREIGN PRODUCTION ONLY



VIEW A-A



SECT B-B



SECT C-C

3	2.29-3.30 [.090-.130]	0.3-0.8mm [22-18]	0.81 ±0.025 [.032] ±.001	41771-1
	2.29-3.30 [.090-.130]	0.3-0.8mm <sup>2</sup> [22-18]	0.81 ±0.025 [.032] ±.001	41771
	INSUL RANGE	WIRE SIZE	TAB THK.	PART NO.

F OR O	3.30 [.130]	5.59 [.220]	F	2.29 [.090]	1.42 [.056]	0.8mm [18]
					1.30 [.051]	0.5mm [20]
					1.24 [.049]	0.3mm <sup>2</sup> [22]
TYPE	WIDTH	STRIP LENGTH ±0.38 ±.015	TYPE	WIDTH	±.051 [±.002] HEIGHT	WIRE
INSUL BARREL CRIMP			WIRE BARREL CRIMP			

THIS DRAWING IS A CONTROLLED DOCUMENT.

DIMENSIONS: mm [INCHES]

TOLERANCES UNLESS OTHERWISE SPECIFIED:

0 PLC	± -
1 PLC	± -
2 PLC	± -
3 PLC	± 0.25 [.010]
4 PLC	± -
ANGLES	± -

MATERIAL: BRASS

FINISH: -

DWN: JR RUTH 2/7/86

CHK: G YETTER 2/7/86

APVD: R KUZO 2/7/86

PRODUCT SPEC: -

APPLICATION SPEC: -

WEIGHT: -

CUSTOMER DRAWING

**STE** TE Connectivity

RECEPTACLE, FASTON, 6.35 [.250] SERIES

SIZE	CAGE CODE	DRAWING NO	RESTRICTED TO
A3	00779	C-41771	-

SCALE: 4:1 SHEET: 1 OF 1 REV: V